



OPEN

Large genotype–phenotype study in carriers of D4Z4 borderline alleles provides guidance for facioscapulohumeral muscular dystrophy diagnosis

Giulia Ricci^{1,2,22}, Fabiano Mele^{1,22}, Monica Govi¹, Lucia Ruggiero³, Francesco Sera⁴, Liliana Vercelli⁵, Cinzia Bettio^{6,7}, Lucio Santoro³, Tiziana Mongini⁵, Luisa Villa⁸, Maurizio Moggio⁸, Massimiliano Filosto⁹, Marina Scarlato¹⁰, Stefano C. Previtali¹⁰, Silvia Maria Tripodi¹¹, Elena Pegoraro¹¹, Roberta Telese¹², Antonio Di Muzio¹², Carmelo Rodolico¹³, Elisabetta Bucci¹⁴, Giovanni Antonini¹⁴, Maria Grazia D'Angelo¹⁵, Angela Berardinelli¹⁶, Lorenzo Maggi¹⁷, Rachele Piras¹⁸, Maria Antonietta Maioli¹⁸, Gabriele Siciliano², Giuliano Tomelleri^{6,7}, Corrado Angelini¹⁹ & Rossella Tupler^{1,6,7,20,21}✉

Facioscapulohumeral muscular dystrophy (FSHD) is a myopathy with prevalence of 1 in 20,000. Almost all patients affected by FSHD carry deletions of an integral number of tandem 3.3 kilobase repeats, termed D4Z4, located on chromosome 4q35. Assessment of size of D4Z4 alleles is commonly used for FSHD diagnosis. However, the extended molecular testing has expanded the spectrum of clinical phenotypes. In particular, D4Z4 alleles with 9–10 repeat have been found in healthy individuals, in subjects with FSHD or affected by other myopathies. These findings weakened the strict relationship between observed phenotypes and their underlying genotypes, complicating the interpretation of molecular findings for diagnosis and genetic counseling. In light of the wide clinical variability detected in carriers of D4Z4 alleles with 9–10 repeats, we applied a standardized methodology, the Comprehensive Clinical Evaluation Form (CCEF), to describe and characterize the phenotype of 244 individuals carrying D4Z4 alleles with 9–10 repeats (134 index cases and 110 relatives). The study shows that 54.5% of index cases display a classical FSHD phenotype with typical facial and scapular muscle weakness, whereas 20.1% present incomplete phenotype with facial weakness or scapular girdle weakness, 6.7% display minor signs such as winged scapula or hyperCKemia, without functional

¹Department of Life Sciences, University of Modena and Reggio Emilia, Modena, Italy. ²Department of Clinical and Experimental Medicine, Neurological Clinic, University of Pisa, Pisa, Italy. ³Department of Neurosciences, Reproductive and Odontostomatological Sciences, University Federico II of Naples, Naples, Italy. ⁴Department of Statistics, Computer Science and Applications “G. Parenti”, University of Florence, Florence, Italy. ⁵Department of Neuroscience, Center for Neuromuscular Diseases, University of Turin, Turin, Italy. ⁶Department of Biomedical, Metabolic and Neural Sciences, University of Modena and Reggio Emilia, Via G. Campi 287, 41125 Modena, Italy. ⁷Center for Neuroscience and Neurotechnology, University of Modena and Reggio Emilia, Modena, Italy. ⁸Neuromuscular Unit, Fondazione IRCCS Ca’ Granda Ospedale Maggiore Policlinico, Dino Ferrari Center, University of Milan, Milan, Italy. ⁹Neurology Clinic, Spedali Civili Hospital, Brescia, Italy. ¹⁰INSPE and Division of Neuroscience, IRCCS San Raffaele Scientific Institute, Milan, Italy. ¹¹Department of Neurosciences, University of Padua, Padua, Italy. ¹²Center for Neuromuscular Disease, CeSI, University “G. D’Annunzio”, Chieti, Italy. ¹³Department of Neurosciences, Policlinico “G. Martino”, University of Messina, Messina, Italy. ¹⁴Department of Neuroscience, Mental Health and Sensory Organs, S. Andrea Hospital, University of Rome “La Sapienza”, Rome, Italy. ¹⁵Department of Neurorehabilitation, IRCCS Eugenio Medea, Bosisio Parini, Italy. ¹⁶Unit of Child Neurology and Psychiatry, IRCCS “C. Mondino” Foundation, Pavia, Italy. ¹⁷IRCCS Foundation, C. Besta Neurological Institute, Milan, Italy. ¹⁸ASL8, Centro Sclerosi Multipla, Cagliari, Italy. ¹⁹IRCCS San Camillo, Venice, Italy. ²⁰Department of Molecular Cell and Cancer Biology, University of Massachusetts Medical School, Worcester, USA. ²¹Li Weibo Institute for Rare Diseases Research at the University of Massachusetts Medical School, Worcester, USA. ²²These authors contributed equally: Giulia Ricci and Fabiano Mele. ✉email: rossella.tupler@unimore.it

motor impairment, and 18.7% of index cases show more complex phenotypes with atypical clinical features. Family studies revealed that 70.9% of relatives carrying 9–10 D4Z4 reduced alleles has no motor impairment, whereas a few relatives (10.0%) display a classical FSHD phenotype. Importantly all relatives of index cases with no FSHD phenotype were healthy carriers. These data establish the low penetrance of D4Z4 alleles with 9–10 repeats. We recommend the use of CCEF for the standardized clinical assessment integrated by family studies and further molecular investigation for appropriate diagnosis and genetic counseling. Especially in presence of atypical phenotypes and/or sporadic cases with all healthy relatives is not possible to perform conclusive diagnosis of FSHD, but all these cases need further studies for a proper diagnosis, to search novel causative genetic defects or investigate environmental factors or co-morbidities that may trigger the pathogenic process. These evidences are also fundamental for the stratification of patients eligible for clinical trials. Our work reinforces the value of large genotype–phenotype studies to define criteria for clinical practice and genetic counseling in rare diseases.

Abbreviations

FSHD	Facioscapulohumeral muscular dystrophy
FSHD1 and FSHD2	Facioscapulohumeral muscular dystrophy type 1 and type 2
CCEF	Comprehensive Clinical Evaluation Form
DRA	D4Z4 reduced alleles
bDRA	Borderline D4Z4 reduced alleles
INRF	Italian National Registry for FSHD
SMCHD1	Structural maintenance of chromosomes flexible hinge domain containing 1
DNMT3B	DNA methyltransferase 3 beta

Facioscapulohumeral muscular dystrophy (FSHD, OMIM #158900) has prevalence of one in 8–20,000^{1,2}. The disease is characterized by a peculiar distribution of muscle weakness affecting facial and shoulder girdle muscles. Abdominal muscles also become affected, leading to a characteristic hyperlordotic posture. The selective and precocious weakness of *tibialis anterior* muscle is typical at lower limb, eventually followed by proximal leg muscles involvement^{3,4}.

Presently, FSHD diagnosis is based on molecular findings⁵. Two genetically distinct disease subtypes, FSHD1 and FSHD2, have been described up to now⁶. FSHD1 is associated with contractions of a polymorphic macrosatellite repeat on chromosome 4q35.2⁷. This region consists of tandemly arrayed 3.3 kb D4Z4 repeat elements ranging from 11 to > 100 repeat units in healthy subjects. Individuals displaying FSHD symptoms and carrying D4Z4 alleles with 10 or fewer repeat units are genetically defined as FSHD1⁸. They represent 95% of people with FSHD.

FSHD2 defines 5–10% of affected individuals carrying two D4Z4 arrays in the healthy range (> 10 repeat units). FSHD2 is defined as the cause of SMCHD1 mutation in OMIM and Gene Table (<http://www.musclegene.fr>). FSHD1 and FSHD2, considered clinically undistinguishable, are characterized by DNA hypomethylation of the 4q35 D4Z4 array⁹.

FSHD is characterized by reduced penetrance and wide variability in the clinical expression among patients and within families^{10–13}. Indeed, the widespread use of molecular analysis to diagnose FSHD has revealed various phenotypes in subjects carrying D4Z4 alleles of reduced size, including atypical or incomplete phenotypes^{12–19}. Furthermore, it has been observed that in the general population 3% of people carry D4Z4 array in the FSHD size range^{20–22}. All this makes genotype–phenotype association difficult and hinders proper diagnosis, especially in presence of atypical clinical presentation¹³. Molecular factors such as level of D4Z4 methylation or mutations in other genes (i.e. *SMCHD1* or *DNMT3B* genes) have been recently added to the list of possible contributors to disease onset and modifiers of disease severity, and also to explain a digenic inheritance for FSHD^{9,23–25}; even though more extended analysis suggest the limited contribution of these factors^{26,27}. This clinical and molecular complexity has complicated FSHD diagnosis, clinical practice and genetic counseling. Based on the above considerations, how can we interpret and use the result of the FSHD molecular test?

Here, we investigate the occurrence of the FSHD classical phenotype in 134 index cases and 110 relatives carrying alleles with 9–10 D4Z4 repeat units from the Italian National Registry for FSHD (INRF). Alleles of this size, named borderline D4Z4 reduced alleles (bDRA), are considered the upper size of the diagnostic range and pose the major diagnostic challenges. In fact, a wide phenotypic spectrum including atypical or incomplete phenotypes with no affected relatives is frequently observed in subjects carrying a bDRA²⁸, making the definition of a clear cut-off point problematic.

Materials and methods

Study design and participants. In this study, we enrolled subjects carrying a bDRA. Index cases were identified through the INRF considering a 9-year time-window (2008–2016). The INRF database contains clinical and molecular data of subjects examined by the Italian Clinical Network for FSHD (www.fshd.it)²⁹. Out of 1340 index cases bearing a DRA with 1–10 repeats, we identified 166 subjects (14.6%) carrying a bDRA (Supplementary Fig. 1). Clinical and molecular analysis was extended to all available and willing to participate relatives. Phenotypic characterization was performed on 134 index cases and 110 relatives carrying a bDRA from 58 unrelated families. Seventy-six index cases did not have available relatives carrying a bDRA (Supplementary Fig 2).

CCEF category (n)	Mean age at evaluation	Mean age at onset	Mean FSHD score
a. Index cases 134 (84 M, 50 F)			
A 73 (46 M, 27 F)	57.5 ± 15.8	32.9 ± 16.0	6.8 ± 3.0
B 27 (20 M, 7 F)	51.6 ± 15.1	35.3 ± 18.2	3.0 ± 1.8
C 9 (4 M, 5 F)	33.7 ± 20.9	–	–
D 25 (14 M, 11 F)	56.1 ± 13.0	38.2 ± 18.5	6.0 ± 3.4
b. Relatives 110 (56 M, 54 F)			
A 11 (3 M, 8 F)	55.2 ± 19.3	32.2 ± 17.6	5.5 ± 2.8
B 15 (12 M, 3 F)	51.7 ± 19.7	35.3 ± 17.0	2.5 ± 2.1
C 78 (39 M, 39 F)	42.0 ± 16.0	–	–
D 6 (2 M, 4 F)	57.0 ± 27.8	45.0 ± 36.1	5.3 ± 4.5

Table 1. Distribution of clinical categories among subjects carrying a bDRA.

Availability of data. The dataset analyzed during the current study is available from the corresponding author upon request.

Procedures. We used the Comprehensive Clinical Evaluation Form (CCEF) for the clinical characterization of each subject³⁰. This evaluation protocol defines the severity of the motor impairment, and generates the FSHD score, which translates disability into a number. It ranges from zero, when no objective evidence of muscle functional impairment is present, to 15, when all the muscle groups tested are severely impaired (www.fshd.it)³¹. Subjects were further classified on the basis of the clinical signs considering typical and atypical features, as listed in the CCEF (Supplementary Fig. 3): (1) subjects presenting facial and scapular girdle muscle weakness typical of FSHD (category A, subcategories A1–A3), (2) subjects with muscle weakness limited to scapular girdle or facial muscles (category B, respectively subcategories B1 and B2), (3) asymptomatic without any functional motor impairment (FSHD score 0) or healthy subjects (category C, respectively subcategories C1 and C2), (4) subjects with myopathic phenotype presenting clinical features not consistent with FSHD canonical phenotype (D, subcategories D1, D2). Age at onset was estimated as self-reported anamnestic record³².

Molecular characterization. DNA was prepared from isolated lymphocytes according to standard procedures. In brief, restriction endonuclease digestion of DNA was performed in agarose plugs with the appropriate restriction enzyme: *EcoRI*, *EcoRI/BlnI*. Digested DNA was separated by pulsed field gel electrophoresis (PFGE) in 1% agarose gels, as previously described¹⁸. Allele sizes were estimated by Southern hybridization with probe p13E-11 of 7 µg of *EcoRI*-digested, *EcoRI/BlnI*-digested genomic DNA extracted from peripheral blood lymphocytes, electrophoresed in a 0.4% agarose gel, for 62–64 h at 35 V, alongside an 8–48 kb marker (Bio-Rad). Participants carrying alleles of 36–41 kb (9–10 D4Z4 units) in size were included in the study. Within the European population, pathological D4Z4 contractions usually are associated with the permissive 4qA haplotype in the subtelomeric region of chromosome 4q. The 4qA polymorphism was assessed by *HindIII* digestion and hybridization with 4qA probe. Restriction fragments were detected by autoradiography or by using the Typhoon Trio system (GE Healthcare). To verify that the obtained shortened D4Z4 fragment on chromosome 4 has a causative 4qA haplotype, an additional *HindIII* Southern blot was performed as suggested for the molecular diagnosis of FSHD1³³.

Statistical analysis. We used descriptive statistics for quantitative variables (mean and standard deviation) and qualitative variables (relative frequencies). Associations between qualitative variables were assessed using chi-square test or Fisher exact test. Associations between clinical parameters were described and tested using Pearson r correlation coefficient. Associations between quantitative variables and qualitative variables were evaluated using *t* test or ANOVA.

Ethics approval and consent to participate. The INRF database was approved by the Provincial Ethics Committee of Modena (2712/CE). Informed written consent was obtained from all study participants, in accordance with the ethical standards of the 1964 Declaration of Helsinki.

Consent for publication. This manuscript does not contain any individual person's data in any form. Each patient was identified by a unique alphanumeric identification code and all data were made anonymous.

Results

Different phenotypes of index cases carrying 9–10 DRA. The clinical characterization of 134 index cases carrying a bDRA (Table 1A) revealed their phenotypic heterogeneity (Fig. 1A). Seventy-three (54.5%) displayed the classic FSHD phenotype and were classified as category A. The remaining 61 index cases (45.5%) showed various phenotype: 27 presented muscle weakness limited to scapular girdle or facial muscles (20.1%), identified as category B, 25 subjects showing myopathic phenotypes with clinical features not consistent with

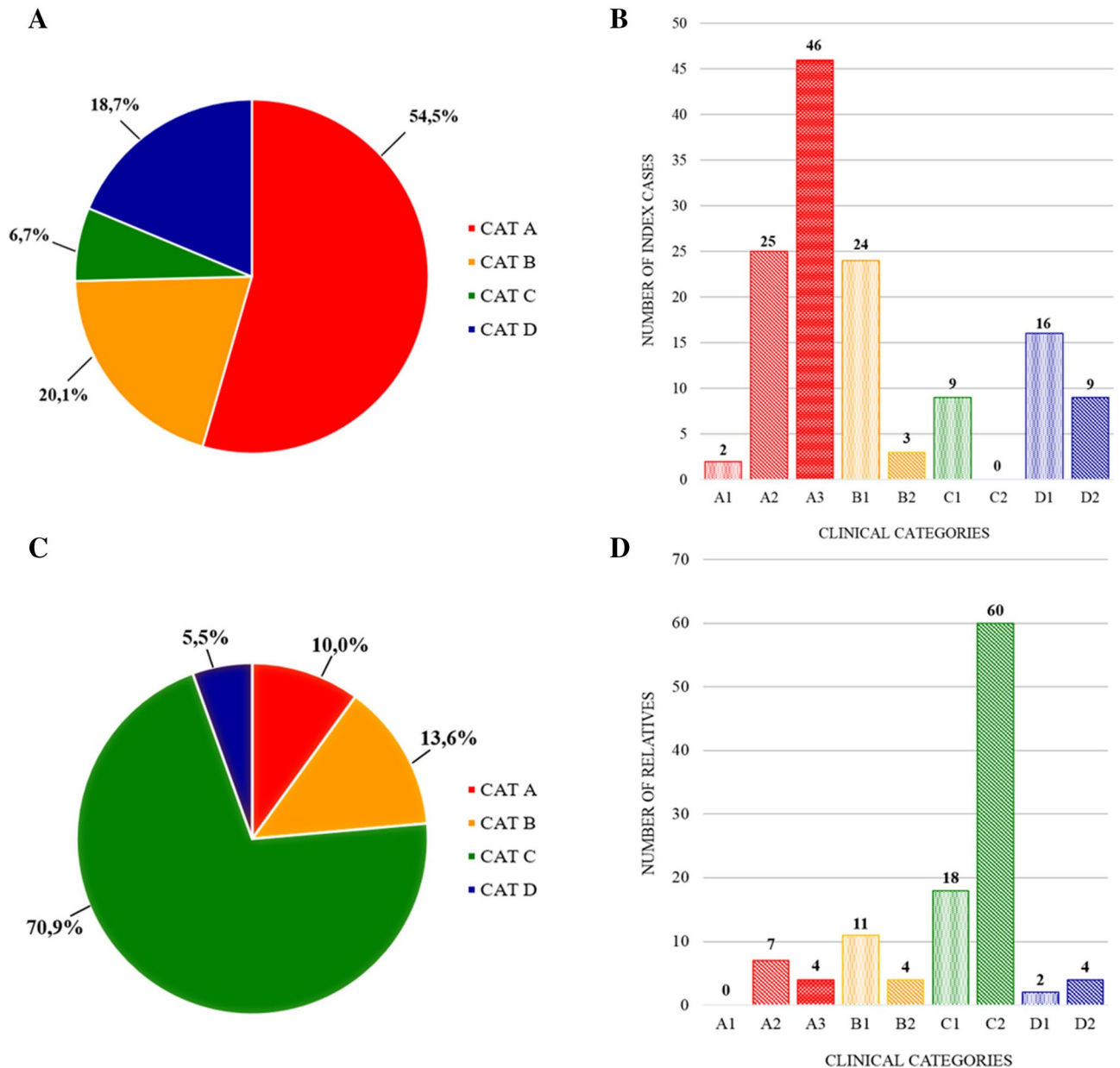


Figure 1. Phenotypic characterization of index cases and relatives carrying a bDRA on the basis of the CCEF categories. Distribution of clinical categories (A) and subcategories (B) among index cases. Distribution of clinical categories (C) and subcategories (D) among relatives.

FSHD (18.7%) were listed as category D, 9 subjects (6.7%) did not show motor impairment (FSHD score 0) and were classified as subcategory C1 for the presence of mild hyperCKemia and winged scapula.

As expected for a slowly progressive disease as FSHD, we observed that there is a correlation between the FSHD score and age at examination or disease duration (Pearson coefficient equal to 0.37 and 0.36 respectively) in all patients falling in categories A, B, or D. We therefore evaluated whether clinical categories may represent different stages of disease progression that is pre-symptomatic carriers are included in category C, mildly affected individuals are in category B and fully manifesting subjects are in category A. If this is the case one would expect category C subjects to be the youngest and category A the oldest. Figure 2A shows that distribution of clinical categories is not influenced by the age at examination.

Index cases with classic FSHD phenotype show a moderate-severe form of disease. Among the 73 index cases classified as category A, 2 presented severe facial weakness and were classified as subcategory A1, 25 showed the classical pattern of facial weakness (subcategory A2), 46 presented mild facial involvement (subcategory A3) (Fig. 1B). The mean age at onset of category A index cases was 32.9 ± 16.0 , 53.4% of them reported disease onset after 30 years of age with the progressive development of a moderate-severe motor impairment (mean age at evaluation 57.5 ± 15.8 , mean FSHD score 6.8 ± 3.0) (Table 1).



Figure 2. Distribution of clinical severity among subjects carrying a bDRA according to FSHD score and age at examination: index cases (A) and relatives (B). Clinical categories are described as follows red diamond (category A), yellow square (category B), green triangle (category C), blue cross (category D).

CCEF category (n)	Mean age at evaluation	Mean age at onset	FSHD score excluding facial scoring
A (73)	57.5 ± 17.8	32.9 ± 16.0	5.6 ± 2.8*
B1 (24)	51.6 ± 15.0	33.3 ± 17.1	3.2 ± 1.8*

Table 2. Index cases with typical (category A) and facial-sparing (category B1) phenotype. * $p < 0.001$.

Incomplete FSHD phenotype is associated with milder motor disability. Facial-sparing scapular myopathy is often detected in clinical practice and it must be distinguished from other forms of myopathy including scapular peroneal syndrome^{34–36}. To further investigate this aspect, we compared the degree of muscle impairment of subcategory B1 and category A excluding the scoring of facial muscle weakness. As shown in Table 2, the index cases with facial-sparing phenotype classified as subcategory B1 had comparable mean age at evaluation and mean age at onset of category A index cases. Instead the average FSHD score assessed in category B1 subjects was significantly lower than the one detected in category A subjects (3.2 ± 1.8 versus 5.6 ± 2.8 , t test $p < 0.001$). Thus, subcategory B1 patients have a milder clinical phenotype.

Case	Sex	Age	Age at onset	Atypical phenotypic features	Family history	Clinical category	Other relatives with bDRA (category)
1	F	60	40	Axial involvement (bent syndrome), cardiac involvement	Negative	D2	
2	F	59	48	Pelvic limb girdle onset	Negative	D1	Daughter (C)
3	M	28	17	Recurrent myoglobinuria	Negative	D2	
4	F	64	25	Pelvic limb girdle onset, LGMD-like	Negative	D1	
5	F	66	50	Isolated pelvic girdle involvement	Negative	D2	Two sons (both C)
6	M	74	16	Dropped head	Negative	D1	
7	M	54	43	Pelvic limb girdle onset	Negative	D1	Three relatives (all C)
8	F	31	0	Congenital facio-brachio-cranial hemiparesis	Negative	D2	Mother and maternal aunt (both C)
9	F	64	6	Prevailing pelvic girdle involvement	Negative	D1	
10	M	66	54	Axial involvement (bent syndrome)	Negative	D1	Son (C)
11	F	63	20	LGMD-like	Negative	D2	Brother and sister (both C)
12	M	69	55	Axial involvement	Negative	D2	
13	M	47	39	Early gastrocnemius atrophy and weakness	Negative	D1	
14	M	66	50	LGMD-like	Negative	D2	
15	M	66	66	Isolated pelvic girdle involvement	Negative	D2	Two sons (both C)
16	M	61	47	Prevailing axial involvement	Negative	D1	
17	F	49	43	LGMD-like	Negative	D1	Three relatives (C)
18	M	52	48	Dropped head	Negative	D1	
19	F	54	50	Bent syndrome	Negative	D2	
20	M	76	70	Axial involvement	Negative	D1	
21	F	53	41	LGMD-like	Positive	D1	
22	F	48	20	Diagnosis of myasthenia gravis	Positive	D1	Two sons (both C) and sister (A)
23	F	46	24	Prevailing pelvic girdle involvement	Negative	D1	
24	M	28	18	Blood CPK > 4 × normal value No winged scapula	Positive	D1	Father (B)
25	M	58	54	Prevailing pelvic girdle involvement	Negative	D1	

Table 3. Index cases with atypical clinical features (clinical category D).

Three index cases, aged 31, 52 and 70 years, were classified as subcategory B2 showing facial weakness without scapular girdle involvement. They presented a mild motor impairment, FSHD score 1, 1, 4 respectively. Two of them had isolated weakness of facial muscles.

Complex/atypical phenotypes in bDRA index cases. Out of 134 index cases, 25 index cases (18.7%) were classified as category D. Sixteen patients were identified as subcategory D1 for the presence of additional atypical features, more frequently including prevalent pelvic girdle weakness and axial involvement with bent spine and dropped head. Nine index cases (6.7%) presented phenotypes inconsistent with FSHD, such as isolated axial weakness (i.e. bent spine syndrome), or other clinical conditions described in Table 3; therefore they were classified as subcategory D2.

There was also the case of a woman (patient 22 in Table 3) that was classified as subcategory D1 because of the concomitant diagnosis of myasthenia gravis associated with abnormally elevated serum levels of acetylcholine receptor antibodies and thymoma. She was the only one among category D index cases who reported a positive family history for FSHD.

To date, all the others have not received any alternative diagnosis yet.

Analysis of prognostic significance of bDRA in relatives. We clinically evaluated 110 relatives carrying a bDRA (56 males, 54 females, mean age at evaluation 45.4 ± 18.2) from 58 unrelated families (Table 1b, Fig. 1C). Among them, 78 subjects (70.9%) did not show motor impairment (mean age at evaluation 42.0 ± 16.0) and were classified as category C (Fig. 1C), in particular 56 (54.5%) were completely normal at neurological examination (subcategory C2) and 22 (16.4%) showed minor signs (winged scapula and/or horizontal clavicles), without motor impairment (subcategory C1) (Fig. 1D). Eleven (10.0%) were identified as category A, 15 (13.6%) as category B, 6 (5.5%) as category D and subcategorized as shown in Fig. 1D. Figure 2B shows the

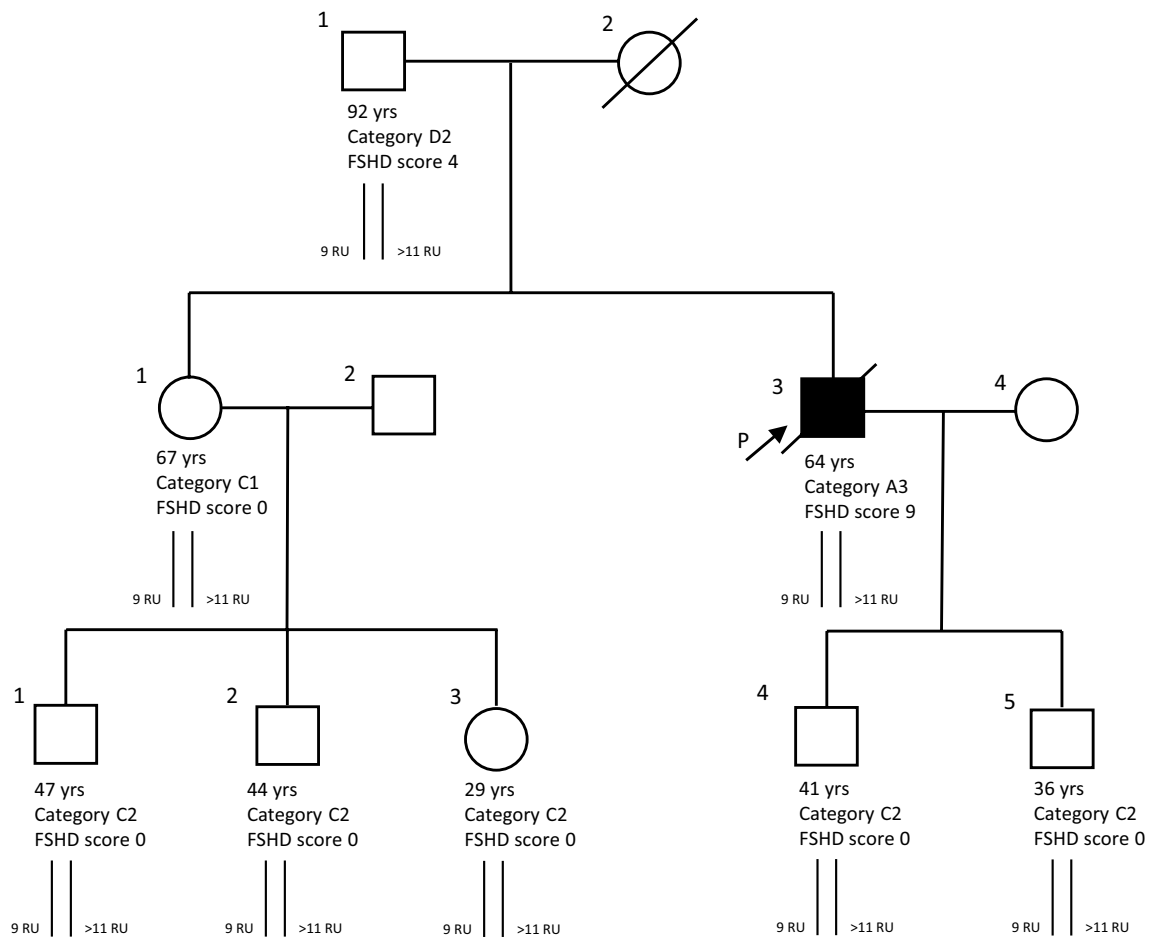


Figure 3. Pedigree Family 952. Age (years) at clinical evaluation, FSHD score (sc), CCEF clinical category, D4Z4 molecular haplotype are reported. Individuals I.1, II.1, II.3, III.1, III.2, III.3, III.4, III.5 carry one D4Z4 allele with 9 RU associated with the qA polymorphism. Individual II.3 developed FSHD at 45 years in the period following three cycles of chemotherapy.

distribution of clinical categories among relatives according to age at examination and FSHD score. We observed non-penetrant carriers in all classes of age, accordingly with previous reports¹². In one family we found that the index case developed FSHD at 45 years of age in the period following three cycles of chemotherapy because of non-Hodgkin lymphoma. In this family 5 relatives carrying the 9 U DRA were healthy whereas the 92-year-old father received FSHD score 4 at neurological examination for limb girdle weakness, therefore classified as category D2 (Fig. 3).

We evaluated the penetrance of bDRA in 12 families with at least 4 carriers. Table 4 summarizes our findings: the probands have different phenotypes. The overall penetrance of bDRA is 40%, ranging from 0 in one family, in which all subjects had no muscle impairment and were assessed as category C, to 100% in two families; in one of these two the proband was assessed as category A as well two relatives, one relative was category D2; in the other, the proband was category A, two relatives were assessed as category B1, one as D1.

Considerations on genetic counseling in family with bDRA. We then evaluated the distribution of clinical phenotypes within families. Figure 4 shows that out of 58 families, in 10 (17.2%) there was at least one category A relative. In these families, the proband was classified as category A, with the exception of one family in which the index case was considered as D1 for the co-presence of myasthenia gravis, as described above. In 36 families (62%) all relatives were non-penetrant. In our large cohort, index cases assessed as category B did not have relatives that were classified as category A, instead in three families we observed only relatives of category B.

We then analyzed whether the clinical category of the index case can predict the phenotype observed in the relatives carrying the same bDRA. We subdivided the probands in two groups on the basis of the CCEF phenotype observed in their relatives. One group included 19 probands whose relatives had classical FSHD or incomplete phenotype (categories A and B); the other group included 39 probands whose relatives were healthy or had a complex phenotype (categories C and D). This analysis shows that the distribution of clinical categories among the 58 probands subdivided on the basis of the phenotypic categories of their relatives does not significantly differ (p value 0.161, Fisher exact test) as reported in Supplementary Table 1.

Family ID	Subjects with DRA (n)	Clinical category		Penetrance (%)
		Proband	Relatives (n)	
FSHD 1639	4	C1	C2 (3)	0
FSHD 219	5	A3	C2 (4)	20
FSHD 1779	5	A2	C (4)	20
FSHD 1011	4	D1	C2 (3)	25
FSHD 1722	4	D1	C2 (3)	25
FSHD 952	7	A3	D2 (1) C2 (5)	28
FSHD 135	9	A2	A2 (2) B1 (1) C (5)	45
FSHD 1239	4	B1	B1 (1) C (2)	50
FSHD 348	5	B1	B1 (2) C (2)	60
FSHD 1855	5	A2	D1 (1) D2 (1) C (2)	60
FSHD 1624	4	A3	A2 (2) D2 (1)	100
FSHD 1971	4	A2	B1 (2) D1 (1)	100

Table 4. Penetrance of bDRA in families with 4 or more carriers.

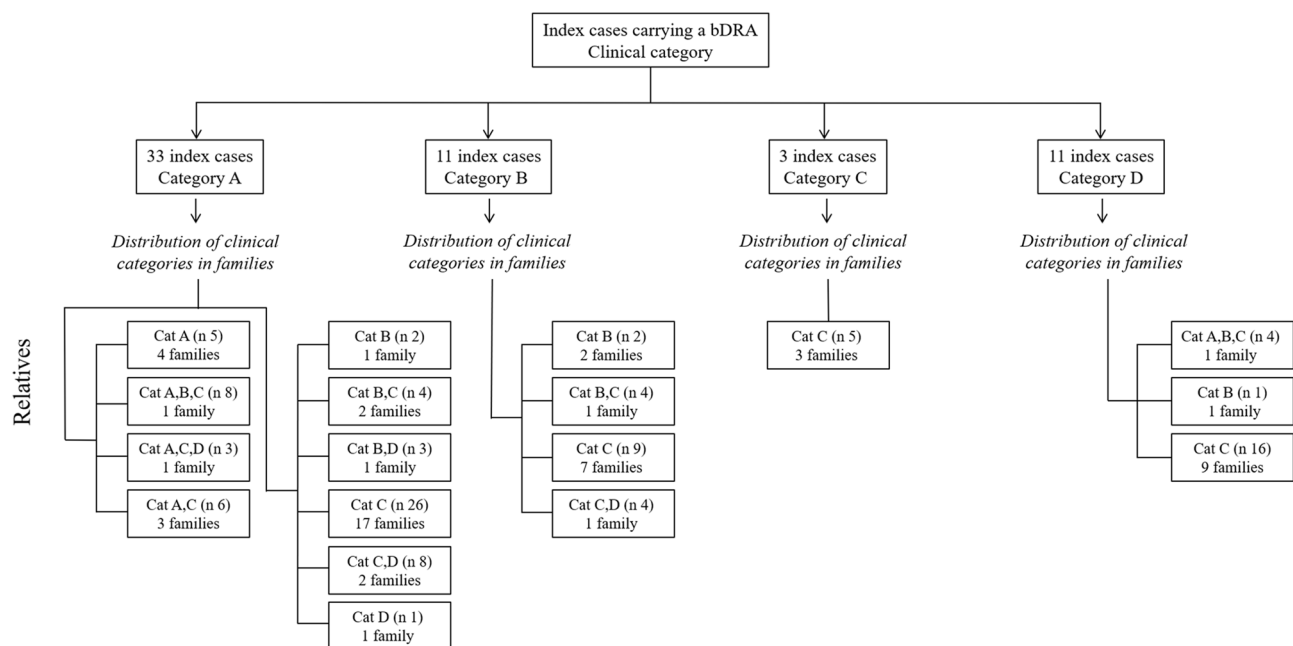


Figure 4. Distribution of the clinical categories observed among relatives in 58 families in which a bDRA segregates according to the clinical category of index cases. The total number of families in each group is indicated, as well as the total number of individuals examined (n).

Discussion

The present study substantiates the value of the clinical categories identified by the CCEF in response to the necessity of describing the different phenotypes of probands and their relatives and shows the possibility of stratifying clinical groups for clinical and molecular studies.

Through years molecular diagnostics in FSHD has faced several challenges mainly because of the wide clinical variability observed among patients and within families, the reduced penetrance of D4Z4 reduced alleles and their high frequency in the general population^{12,14,15,22,37–41}. While there is a natural tendency to look for a relationship between number of repeat units and clinical severity, this approach has presented several flaws through years. Stratification of patients in clinical trials using the number of D4Z4 repeat units or methylation status has proven not to be accurate, suggesting that other disease-causing modifiers can modulate the clinical outcome^{13,27}. Up to now, studies had involved a small number of patients with a higher D4Z4 alleles range^{28,40,42}. This study selectively investigated the phenotype of the largest cohort of subjects with 9–10 D4Z4 repeats previously described, thus adding new data supporting clinical practice and genetic counseling.

Our study suggests that the clinical categories in adulthood do not represent different stages of disease course but identify specific phenotypes, as the distribution of clinical categories is not strictly influenced by the age at examination. In the group of bDRA carriers the majority of patients with a classic FSHD phenotype showed an adult-onset form of disease with a moderate-severe degree of muscle impairment. Remarkably, cases with

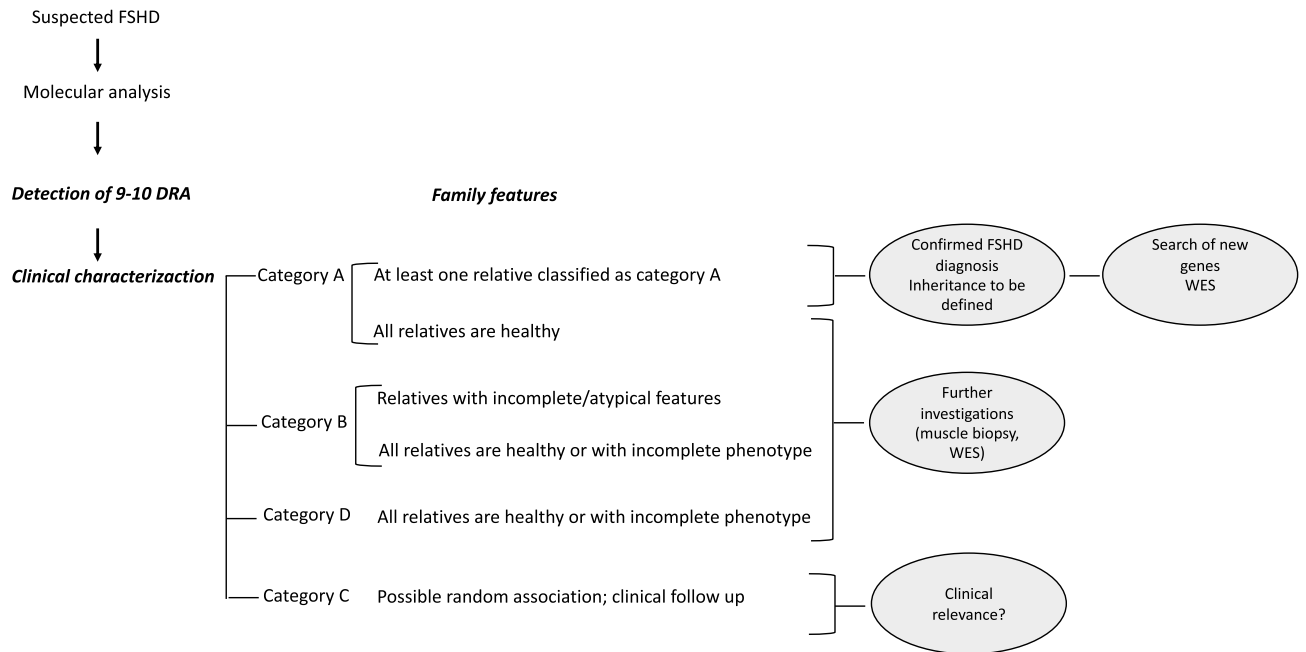


Figure 5. Proposal of a diagnostic flow chart for index cases with bDRA.

facial-sparing phenotype, subcategory B1, had milder muscle impairment and have no relatives with classical FSHD phenotype. A similar observation has been recently reported in a cohort of Chinese patients and in FSHD patient population from the UK FSHD patient registry^{36,43}. Notably, in our recently published 5-year follow-up study⁴⁴ confirmed that clinical progression varies in people showing the different phenotypes described by the CCEF clinical categories. The distribution of clinical categories observed in subjects carrying a bDRA is also similar to those reported in our concomitant study conducted on cohort of 422 individuals carrying a DRA with 7 to 8 D4Z4 repeats from INFR¹³, thus highlighting that among carriers of D4Z4 reduced allele it is possible to recognize different clinical subgroups with distinct clinical features that need ad hoc studies.

In particular, the present study confirms the wide clinical variability among carriers of bDRA, highlighted by the fact that 46% of index cases do not show the classical FSHD phenotype with facial and shoulder girdle involvement. Remarkably, Table 3 shows that among atypical phenotypes, the prevalent clinical feature is the involvement of axial and pelvic muscles, which are features observed in several genetic and acquired myopathies. As an example, axial muscle weakness has been reported among carrier of DRA^{45,46}. However, it is also known that several muscle diseases, such as inflammatory myopathies, limb-girdle muscular dystrophies, congenital myopathies or metabolic myopathies, can primarily affect the axial muscles and produce bent spine syndrome⁴⁷.

Moreover, the finding of a family (Fig. 3) with several healthy carriers in which the only subject who developed after receiving anticancer treatments reinforces the idea that among carriers of bDRA disease may manifest itself through a multistep process. It is indeed possible that the bDRA constitutes a sensitizing condition that in presence of additional elements, genetic, epigenetic or environmental, favors the development of a myopathic phenotype affecting different muscles thus explaining the wide spectrum of clinical phenotypes.

Overall, this possibility is emphasized by the low penetrance of bDRA and by the fact that more than 70% of carrier relatives in our study show no motor impairment. In all these cases, family analysis (see example Fig. 3) adds crucial information.

Furthermore, as shown in Fig. 4, the analysis of intra-familial phenotypes and mode of inheritance can help to identify pedigrees in which alternative diagnosis must be considered or new genes can be searched.

Our study shows that in the group of carriers of bDRA the molecular marker is relevant neither for the diagnosis, all categories are represented, nor for the assessment of the genetic risk in relatives, overall 70.9% of relatives are healthy. Instead the distribution of the phenotypes within each family can provide information about the possible mechanism leading to disease. Genetic counseling should be guided by the extended clinical investigation of the proband's family. Families in which the pedigree analysis suggests mendelian models of inheritance should be investigated to find candidate genes responsible for disease. In isolated cases one should consider additional factors contributing to disease development.

Overall, the evidences reported by the Italian Clinical Network for FSHD highlight the need to consider a standardized assessment for the best clinical management, for selection of patients in testing genetic modifiers and for trial readiness⁴⁸.

Conclusions

Since we found that in our healthy control population 3.7% of subjects carry a bDRA, the detection of it should be considered as a genetic susceptibility condition rather than a diagnostic marker. Accordingly, our large cohort study confirmed that the diagnostic value of bDRA is poor and, therefore, the recurrence risk cannot be estimated.

We therefore recommend diagnostic procedures and genetic counseling to be based on clinical data and family studies (Fig. 5). In families in which the index case and at least one affected relative show the classical FSHD phenotype, the diagnosis of FSHD can be performed and the mode of inheritance (autosomal dominant? recessive? X-linked?) should be investigated; these families can be selected to further studies in order to search for additional genes/modifier/causative factors. In presence of atypical phenotypes and/or isolated cases with all healthy relatives it is not possible to perform conclusive diagnosis of FSHD. All these cases need further investigation, such as muscle biopsy, for a proper diagnosis or to investigate environmental factors or co-morbidities that may trigger the pathogenic process (Fig. 5). Nowadays different high-throughput sequencing approaches, such as Whole Genome Sequencing or Whole Exome Sequencing, are available for family studies aimed at identifying genetic factors, including molecular mosaicism, contributing to the clinical phenotype.

Our recommendations constitute the basis for stratification and definition of eligibility criteria for trial readiness of cases in which a bDRA is detected.

Data availability

The datasets used and/or analyzed during the current study are available from the corresponding author upon request.

Received: 10 August 2020; Accepted: 18 November 2020

Published online: 10 December 2020

References

- Mostacciolo, M. L. *et al.* Facioscapulohumeral muscular dystrophy: epidemiological and molecular study in a north-east Italian population sample. *Clin Genet* **75**, 550–555 (2009).
- Deenen, J. C. *et al.* Population-based incidence and prevalence of facioscapulohumeral dystrophy. *Neurology* **83**, 1056–1059 (2014).
- Padberg, G. W., Lunt, P. W., Koch, M. & Fardeau, M. Diagnostic criteria for facioscapulohumeral muscular dystrophy. *Neuromuscul Disord* **1**, 231–234 (1991).
- Mul, K. *et al.* What's in a name? The clinical features of facioscapulohumeral muscular dystrophy. *Pract Neurol* **16**, 201–207 (2016).
- Tawil, R. *et al.* Guideline Development, Dissemination, and Implementation Subcommittee of the American Academy of Neurology; Practice Issues Review Panel of the American Association of Neuromuscular & Electrodiagnostic Medicine. Evidence-based guideline summary: Evaluation, diagnosis, and management of facioscapulohumeral muscular dystrophy: Report of the Guideline Development, Dissemination, and Implementation Subcommittee of the American Academy of Neurology and the Practice Issues Review Panel of the American Association of Neuromuscular and Electrodiagnostic Medicine. *Neurology* **85**, 357–364 (2015).
- Johnson, N. E. & Statland, J. M. FSHD1 or FSHD2: that is the question: the answer: it's all just FSHD. *Neurology* **92**(19), 881–882 (2019).
- Wijmenga, C. *et al.* Chromosome 4q DNA rearrangements associated with facioscapulohumeral muscular dystrophy. *Nat Genet* **2**, 26–30 (1992).
- Lunt, P. 44th ENMC international workshop: facioscapulohumeral muscular dystrophy: molecular studies: 19–21 July 1996, Naarden, The Netherlands. *Neuromuscul Disord* **8**(2), 126–130 (1998).
- Lemmers, R. J. *et al.* Inter-individual differences in CpG methylation at D4Z4 correlate with clinical variability in FSHD1 and FSHD2. *Hum Mol Genet* **24**, 659–669 (2015).
- Tawil, R. *et al.* Extreme variability of expression in monozygotic twins with FSH muscular dystrophy. *Neurology* **43**, 345–348 (1993).
- Tupler, R. *et al.* Identical de novo mutation at the D4F104S1 locus in monozygotic male twins affected by facioscapulohumeral muscular dystrophy (FSHD) with different clinical expression. *J Med Genet* **35**, 778–783 (1998).
- Ricci, G. *et al.* Large scale genotype-phenotype analyses indicate that novel prognostic tools are required for families with facioscapulohumeral muscular dystrophy. *Brain* **136**, 3408–3417 (2013).
- Ruggiero, L. *et al.* Phenotypic variability among Patients with D4Z4 reduced allele Facioscapulohumeral muscular dystrophy. *JAMA Open Netw* **3**(5), e204040 (2020).
- Tawil, R. *et al.* Evidence for anticipation and association of deletion size with severity in facioscapulohumeral muscular dystrophy. The FSH-DY Group. *Ann Neurol* **39**, 744–748 (1996).
- Zatz, M. *et al.* The facioscapulohumeral muscular dystrophy (FSHD1) gene affects males more severely and more frequently than females. *Am J Med Genet* **77**, 155–161 (1998).
- Goto, K., Nishino, I. & Hayashi, Y. K. Very low penetrance in 85 Japanese families with facioscapulohumeral muscular dystrophy. *J Med Genet* **41**, e12 (2004).
- Ricci, G., Zatz, M. & Tupler, R. Facioscapulohumeral muscular dystrophy: more complex than it appears. *Curr Mol Med* **14**, 1052–1068 (2014).
- Nikolic, A. *et al.* Clinical expression of facioscapulohumeral muscular dystrophy in carriers of 1–3 D4Z4 reduced alleles: experience of the FSHD Italian National Registry. *BMJ Open* **6**, e007798 (2016).
- Goselink, R. J. M. *et al.* Early onset facioscapulohumeral dystrophy—a systematic review using individual patient data. *Neuromuscul Disord* **27**(12), 1077–1083 (2017).
- vanOverveld, P. G. M. *et al.* Interchromosomal repeat array interactions between chromosomes 4 and 10: a model for subtelomeric plasticity. *Hum Mol Genet* **9**, 2879–2884 (2000).
- Wohlgemuth, M. *et al.* Possible phenotypic dosage effect in patients compound heterozygous for FSHD-sized 4q35 alleles. *Neurology* **61**, 909–913 (2003).
- Scionti, I. *et al.* Large-scale population analysis challenges the current criteria for the molecular diagnosis of facioscapulohumeral muscular dystrophy. *Am J Hum Genet* **90**, 628–635 (2012).
- Lemmers, R. J. *et al.* Digenic inheritance of an SMCHD1 mutation and an FSHD-permissive D4Z4 allele causes facioscapulohumeral muscular dystrophy type 2. *Nat Genet* **44**, 1370–1374 (2012).
- Larsen, M. *et al.* Diagnostic approach for FSHD revisited: SMCHD1 mutations cause FSHD2 and act as modifier of disease severity in FSHD1. *Eur J Hum Genet* **23**, 808–816 (2015).
- van den Boogaard, M. L. *et al.* Mutations in DNMT3B modify epigenetic repression of the D4Z4 repeat and the penetrance of facioscapulohumeral dystrophy. *Am J Hum Genet* **98**, 1020–1029 (2016).
- Salsi, V., Magdinier, F. & Tupler, R. Does DNA methylation matter in FSHD?. *Genes* **11**(3), 258 (2020).
- Nikolic, A. *et al.* Interpretation of the epigenetic signature of facioscapulohumeral muscular dystrophy in light of genotype-phenotype studies. *Int J Mol Sci* **21**(7), 2635 (2020).
- Butz, M. *et al.* Facioscapulohumeral muscular dystrophy. Phenotype-genotype correlation in patients with borderline D4Z4 repeat numbers. *J Neurol* **250**, 932–937 (2003).

29. Mul, K. *et al.* 225th ENMC international workshop: a global FSHD registry framework, 18–20 November 2016, Heemskerk, The Netherlands. *Neuromuscul Disord* **27**, 782–790 (2017).
30. Ricci, G. *et al.* A novel clinical tool to classify facioscapulohumeral muscular dystrophy phenotypes. *J Neurol* **263**, 1204–1214 (2016).
31. Lamperti, C. *et al.* A standardized clinical evaluation of patients affected by facioscapulohumeral muscular dystrophy: the FSHD clinical score. *Muscle Nerve* **42**, 213–217 (2010).
32. Lunt, P. W. *et al.* Phenotypic-genotypic correlation will assist genetic counseling in 4q35-facioscapulohumeral muscular dystrophy. *Muscle Nerve* **2**, S103–109 (1995).
33. Thomas, N. S. *et al.* A large patient study confirming that facioscapulohumeral muscular dystrophy (FSHD) disease expression is almost exclusively associated with an FSHD locus located on a 4qA-defined 4qter subtelomere. *J Med Genet* **44**, 215–218 (2007).
34. Felice, K. J. *et al.* FSH dystrophy 4q35 deletion in patients presenting with facial-sparing scapular myopathy. *Neurology* **54**, 1927–1931 (2000).
35. Orrell, R. W. Facioscapulohumeral dystrophy and scapuloperoneal syndromes. *Handb Clin Neurol* **101**, 167–180 (2011).
36. He, J. J. *et al.* Clinical and genetic features of patients with facial-sparing facioscapulohumeral muscular dystrophy. *Eur J Neurol* **25**, 356–364 (2018).
37. Ricci, E. *et al.* Progress in the molecular diagnosis of facioscapulohumeral muscular dystrophy and correlation between the number of KpnI repeats at the 4q35 locus and clinical phenotype. *Ann Neurol* **45**, 751–757 (1999).
38. Tonini, M. M. *et al.* Asymptomatic carriers and gender differences in facioscapulohumeral muscular dystrophy (FSHD). *Neuromuscul Disord* **14**, 33–38 (2004).
39. Sakellariou, P. *et al.* Mutation spectrum and phenotypic manifestation in FSHD Greek patients. *Neuromuscul Disord* **22**, 339–349 (2012).
40. Salort-Campana, E. *et al.* Low penetrance in facioscapulohumeral muscular dystrophy type 1 with large pathological D4Z4 alleles: a cross-sectional multicenter study. *Orphanet J Rare Dis* **10**, 2 (2015).
41. Lin, F. *et al.* New insights into genotype-phenotype correlations in Chinese facioscapulohumeral muscular dystrophy: a retrospective analysis of 178 patients. *Chin Med J (Engl)* **128**, 1707–1713 (2015).
42. Statland, J. M. *et al.* Milder phenotype in facioscapulohumeral dystrophy with 7–10 residual D4Z4 repeats. *Neurology* **85**, 2147–2150 (2015).
43. Ricci, G. *et al.* Phenotype may predict the clinical course of facioscapulohumeral muscular dystrophy. *Muscle Nerve* **59**(6), 711–713 (2019).
44. Vercelli, L., Mele, F., Ruggiero, L. *et al.* A 5-year clinical follow-up study from the Italian National Registry for FSHD. *J Neurol*. <https://doi.org/10.1007/s00415-020-10144-7> (2020).
45. Kottlors, M. *et al.* Facioscapulohumeral muscular dystrophy presenting with isolated axial myopathy and bent spine syndrome. *Muscle Nerve* **42**, 273–275 (2010).
46. Ghosh, P. S. & Milone, M. Camptocormia as presenting manifestation of a spectrum of myopathic disorders. *Muscle Nerve* **52**, 1008–1012 (2015).
47. Witting, N., Andersen, L. K. & Vissing, J. Axial myopathy: an overlooked feature of muscle diseases. *Brain* **139**, 13–22 (2016).
48. Nguyen, K. & Robin, J. D. Facioscapulohumeral muscular dystrophy—a tale of heterogeneity and the power of clinical assessments. *JAMA Netw Open* **3**(5), e205004 (2020).

Acknowledgements

We are indebted to all patients and their families for participating in this study. We are grateful to the European Reference Network EURO-NMD (T.M., M.F., E.P., C.R. and G.S. as Representatives for the Italian HCP partners).

Author contributions

R.T., G.R., F.M. contributed to the conception and design of the work; R.T. and G.R. wrote the main manuscript text. G.R., F.M., M.G., L.R., L.V., L.S., C.B., T.M., L.V., M.M., M.F., M.S., S.C.P., S.M.T., E.P., R.T., A.D.M., C.R., E.B., G.A., M.G.D.A., A.B., L.M., R.P., M.A.M., G.S., G.T. contributed to acquisition of data; F.S. contributed statistical data analysis; F.M. prepared Figs. 1, 2 and 4, Supplementary Fig. 1. M.G. prepared Fig. 3, G. R. prepared Fig. 5. F.S. prepared Tables 1, 2 and Supplementary Table 1. G.R. prepared Table 3. C.B. prepared Table 4. G.R. prepared Supplementary Fig. 2. All Authors reviewed the manuscript, approved the submitted version and agreed to be personally accountable for the author's own contributions.

Funding

This work was supported by Telethon Italy GUP13012, by Association Francaise contre les Myopathies (AFM, Grant Numbers: 16593 and 21611), by Regione Emilia Romagna progetto RARER.

Competing interests

The authors declare no competing interests.

Additional information

Supplementary Information The online version contains supplementary material available at <https://doi.org/10.1038/s41598-020-78578-7>.

Correspondence and requests for materials should be addressed to R.T.

Reprints and permissions information is available at www.nature.com/reprints.

Publisher's note Springer Nature remains neutral with regard to jurisdictional claims in published maps and institutional affiliations.



Open Access This article is licensed under a Creative Commons Attribution 4.0 International License, which permits use, sharing, adaptation, distribution and reproduction in any medium or format, as long as you give appropriate credit to the original author(s) and the source, provide a link to the Creative Commons licence, and indicate if changes were made. The images or other third party material in this article are included in the article's Creative Commons licence, unless indicated otherwise in a credit line to the material. If material is not included in the article's Creative Commons licence and your intended use is not permitted by statutory regulation or exceeds the permitted use, you will need to obtain permission directly from the copyright holder. To view a copy of this licence, visit <http://creativecommons.org/licenses/by/4.0/>.

© The Author(s) 2020